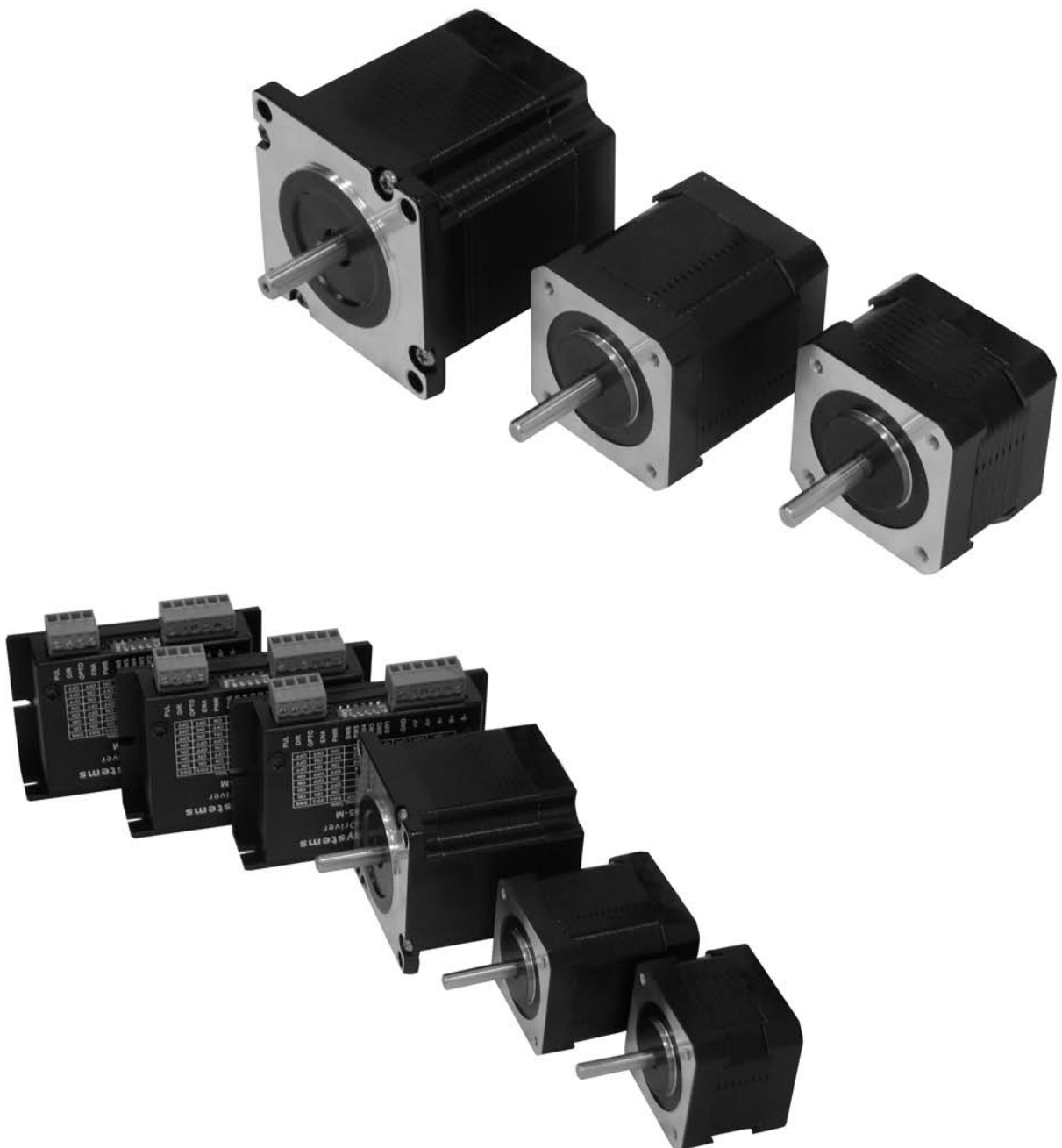


# ASM Series Stepper Motors

- *Compact size*
- *Cost effective*
- *Easy to use*
- *Wide range of sizes available*



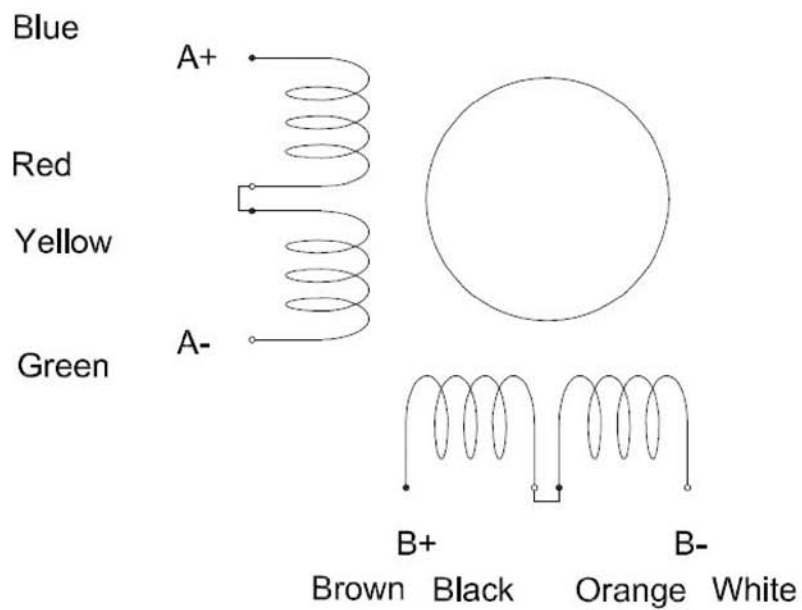
# ASM23 Series

## Datasheet

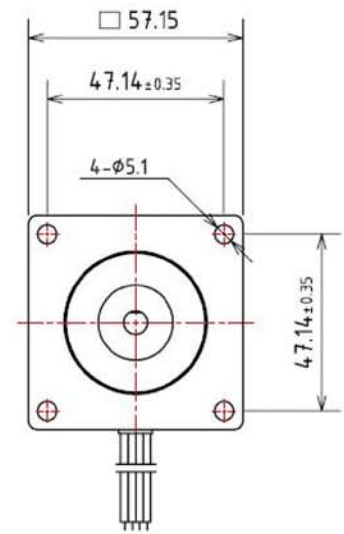
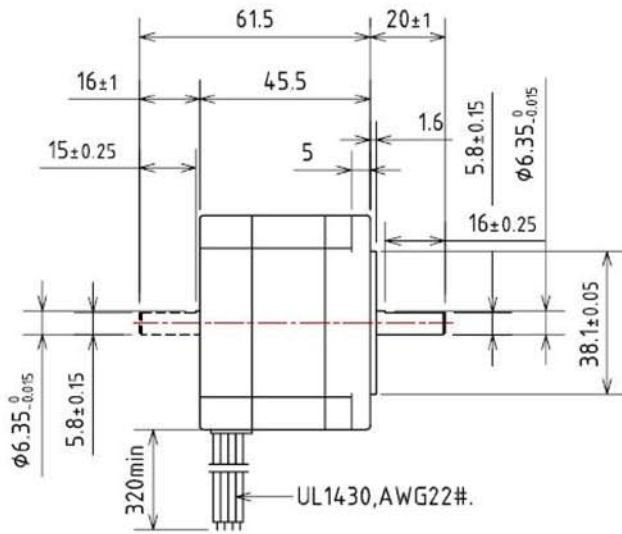
Specifications \ Model	ASM23H246	ASM23H255	ASM23H262	ASM23H280
Step Angle, $^{\circ}$	1.8	1.8	1.8	1.8
Holding torque, Nm	0.64	1.0	1.28	2.0
Current per phase, A	1.5	1.5	1.5	1.5
Rotor inertia ( $\times 10^{-5}$ ), $\text{kgm}^2$	1.2	2.0	3.0	4.8
Shaft runout, mm	0.05	0.05	0.05	0.05
Perpendicularity, mm	0.075	0.075	0.075	0.075
Concentricity, mm	0.075	0.075	0.075	0.075
Positional accuracy, mm	5%	5%	5%	5%
Temperature rise, $^{\circ}\text{C}$	80	80	80	80

Notes: Others sizes of stepper motors are available, please contact [sales@akribis-sys.com](mailto:sales@akribis-sys.com) for more information

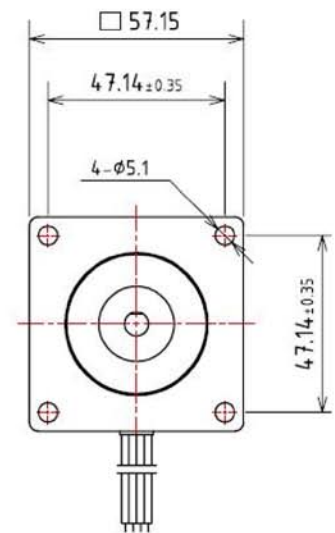
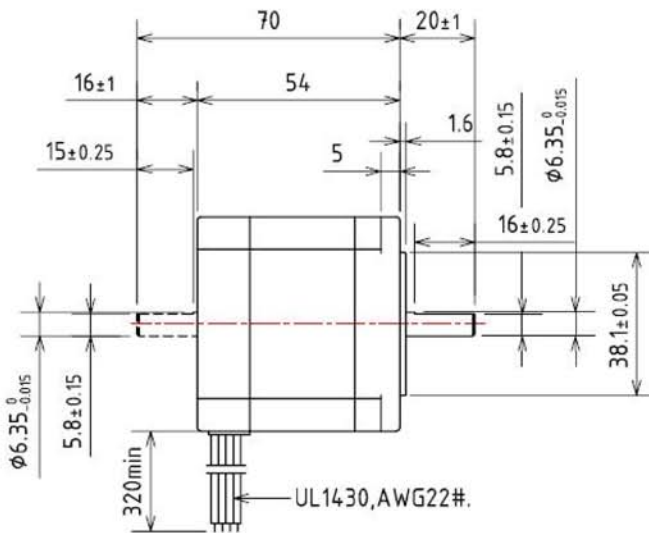
## Wiring Diagram



# Datasheet



ASM23H246-01EA (Single Shaft), ASM23H246-01EB (Double Shaft)



ASM23H255-01EA (Single Shaft), ASM23H255-01EB (Double Shaft)



## Speed – Torque Characteristic

