

AVA Series Rectangular Voice Coil Motors

- *Direct drive*
- *Zero cogging*
- *Zero backlash voice coil motors*
- *Low coil mass with very fast response and high bandwidth*
- *No contact between coil and core movement (no wear and tear)*
- *Smooth motion at low speeds with limitless resolution (depends on feedback device)*



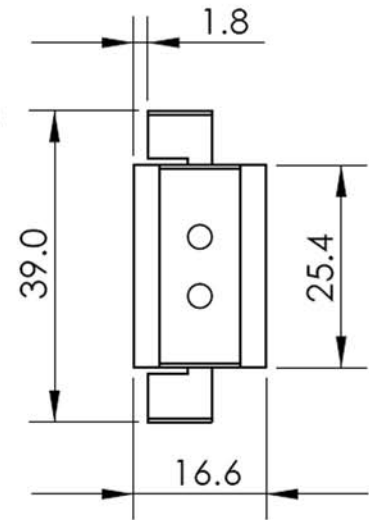
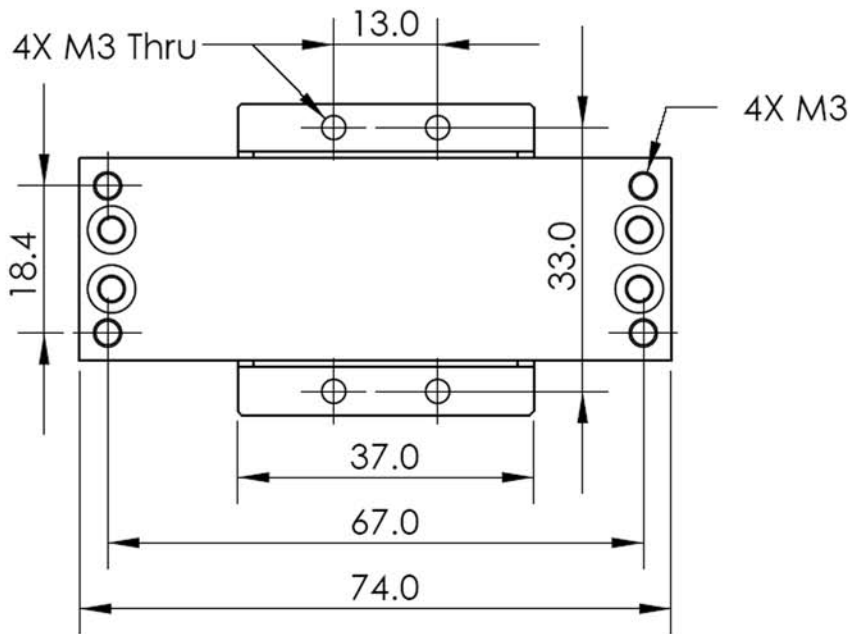
AVA1 / AVA2 / AVA3 Series

Datasheet

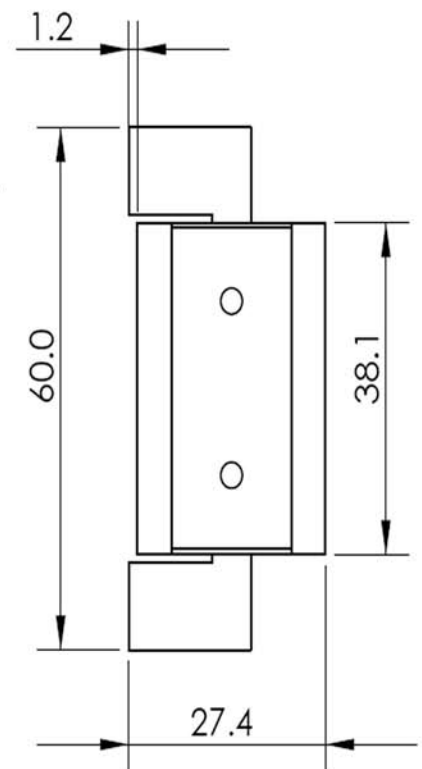
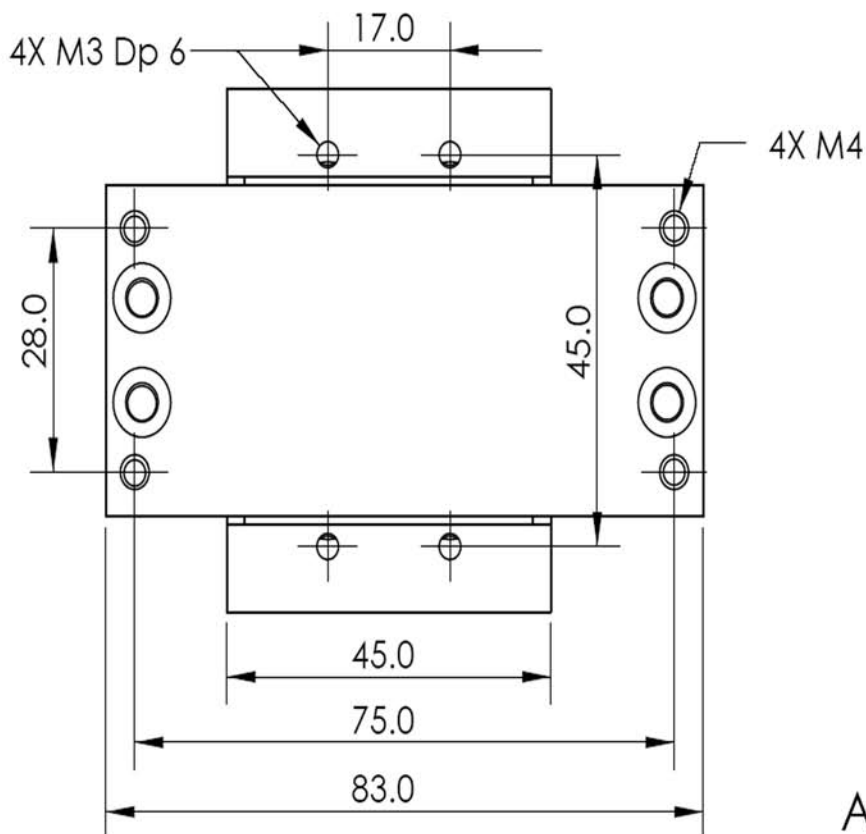
Specifications	Model	AVA1-20	AVA2-20	AVA3-20
	Stroke, mm	20.0	20.0	20.0
	Force constant (at mid stroke), N/A	1.4	7.2	6.4
	Back EMF constant, V/ms ⁻¹	1.4	7.2	6.4
	¹ Continuous force (at 100°C), N	2.7	10.1	17.9
	Peak force, N	8.2	30.2	53.8
	Resistance, Ohms	1.4	3.4	1.5
	Inductance, mH	0.3	1.6	0.7
	Recommended bus voltage, V	24.0	24.0	24.0
	¹ Continuous current (coil at 100°C), A	2.0	1.4	2.8
	Peak current, A	6.0	4.2	8.4
	Clearance of coil, mm		0.6	
	Power at peak force, W	50.4	60.0	105.8
	Maximum coil temperatures, °C		155.0	
	Coil assembly mass, gm	17.0	45.0	72.0
	Core assembly mass, gm	186.0	496.0	930.0

¹ Continuous force measured without any additional mounting plate or heat-sink on coil. With additional plate, force will be higher.

Dimensional Drawing

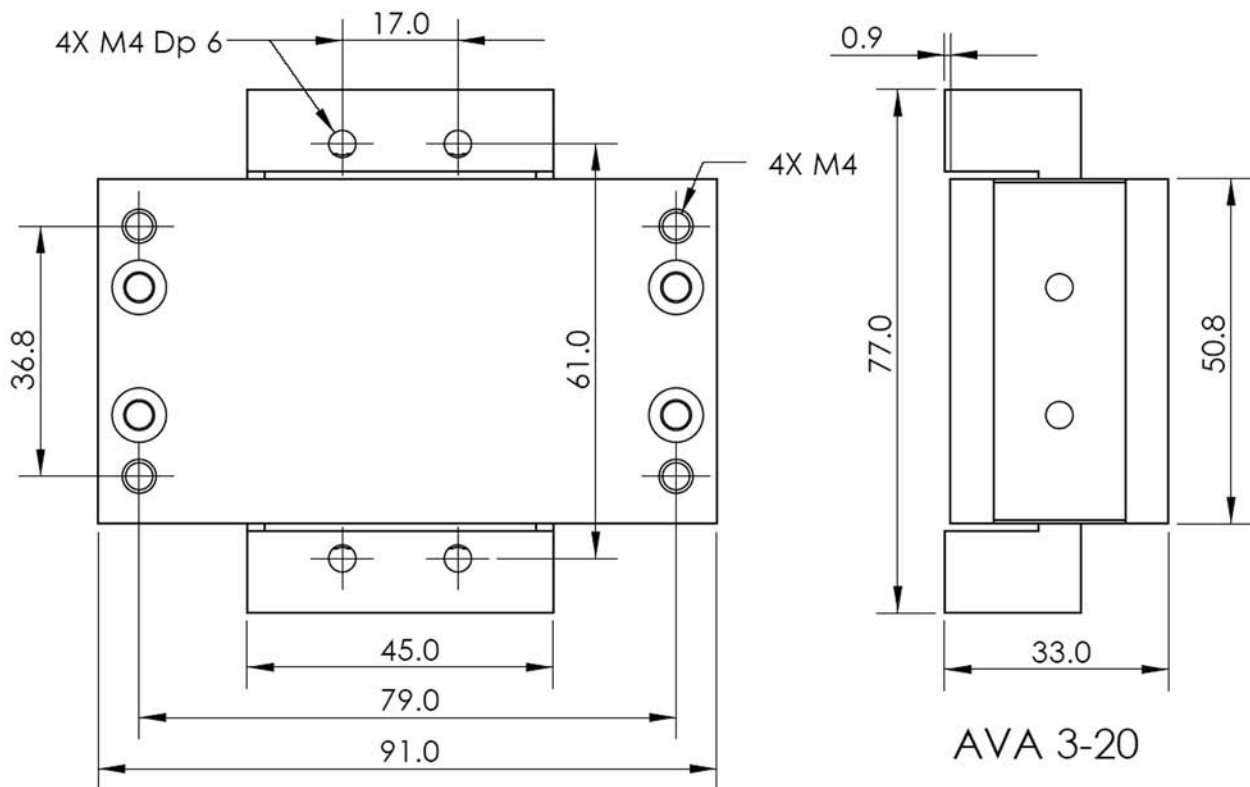


AVA1-20



AVA 2-20

Dimensional Drawing



Part Numbering

	Motor size (type)	Stroke (mm)
AVA	1, 2, or 3	- 20

Example : AVA2-20

Matching Drivers / Amplifiers

DDP21, DDP51, ADL41