

# ATA Series (Patented)



Only 24 VDC supply



No compressed air needed



Very fast response



Controllable holding force

# ATA

## Specifications

Model	Units	ATA-IG2-5	ATA-IG2-10
Stroke	mm	5	10
Force sensitivity (at mid stroke)	N/A	0.2	0.18
Back EMF constant	V/m/s	0.2	0.18
Continuous force	N	0.4	0.36
Peak force	N	1.6	1.44
Resistance	ohms	0.3	0.44
Continuous current	A	2	2
Peak current	A	8	8
Voltage at peak force	V	2.6	3.5
Actuator constant	N/Sqrt(W)	0.35	0.27
Continuous power	W	1.3	1.8
Max coil temperature	°C	130	130
Moving mass	g	4.3	6.5

Model	Units	ATA-IG3-6	ATA-IG3-12
Stroke	mm	6	12
Force sensitivity (at mid stroke)	N/A	0.29	0.28
Back EMF constant	V/m/s	0.29	0.28
Continuous force	N	0.58	0.56
Peak force	N	2.32	2.24
Resistance	ohms	0.45	0.48
Continuous current	A	2	2
Peak current	A	8	8
Voltage at peak force	V	3.6	3.8
Actuator constant	N/Sqrt(W)	0.43	0.4
Continuous power	W	1.8	1.9
Max coil temperature	°C	130	130
Moving mass	g	7.9	11.6

# ATA

## Specifications

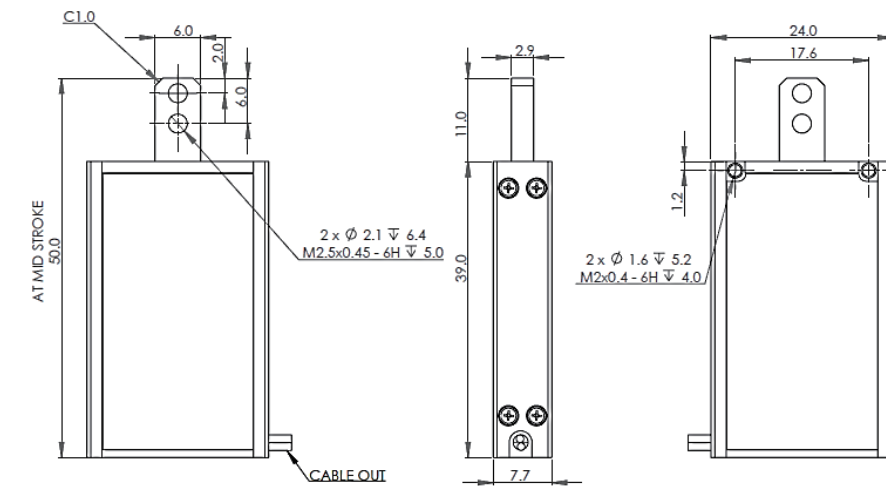
Model	Units	ATA-IG4-10	ATA-IG4-18
Stroke	mm	10	18
Force sensitivity (at mid stroke)	N/A	0.58	0.61
Back EMF constant	V/m/s	0.58	0.61
Continuous force	N	1.16	1.22
Peak force	N	4.64	4.88
Resistance	ohms	1.03	1.39
Continuous current	A	2	2
Peak current	A	8	8
Voltage at peak force	V	8.2	11.1
Actuator constant	N/Sqrt(W)	0.57	0.52
Continuous power	W	4.1	5.6
Max coil temperature	°C	130	130
Moving mass	g	15.5	24.7

Model	Units	ATA-IG5-12	ATA-IG5-22
Stroke	mm	12	22
Force sensitivity (at mid stroke)	N/A	0.96	0.99
Back EMF constant	V/m/s	0.96	0.99
Continuous force	N	1.92	1.98
Peak force	N	7.68	7.92
Resistance	ohms	1.77	2.58
Continuous current	A	2	2
Peak current	A	8	8
Voltage at peak force	V	14.2	20.6
Actuator constant	N/Sqrt(W)	0.72	0.62
Continuous power	W	7.1	10.3
Max coil temperature	°C	130	130
Moving mass	g	26.8	44.9

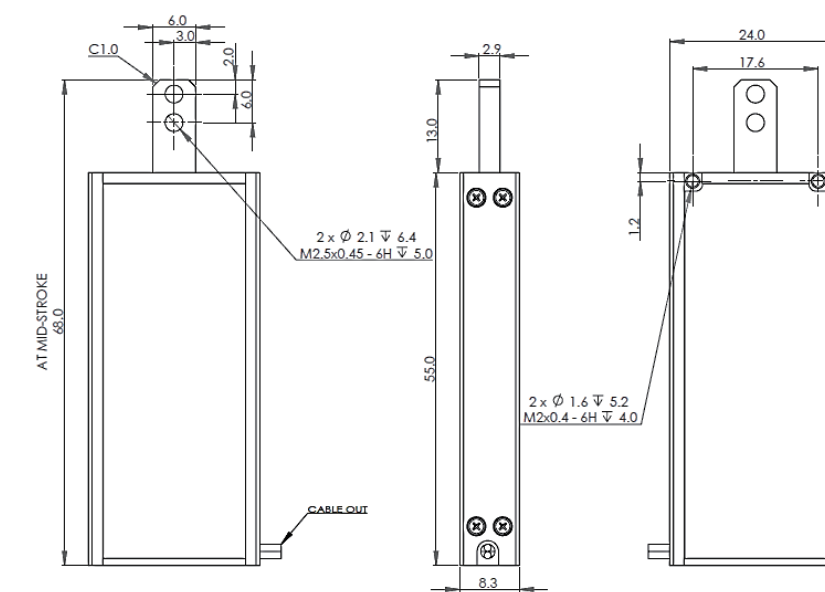
# ATA-IG2

## Dimensions

### ATA-IG2-5



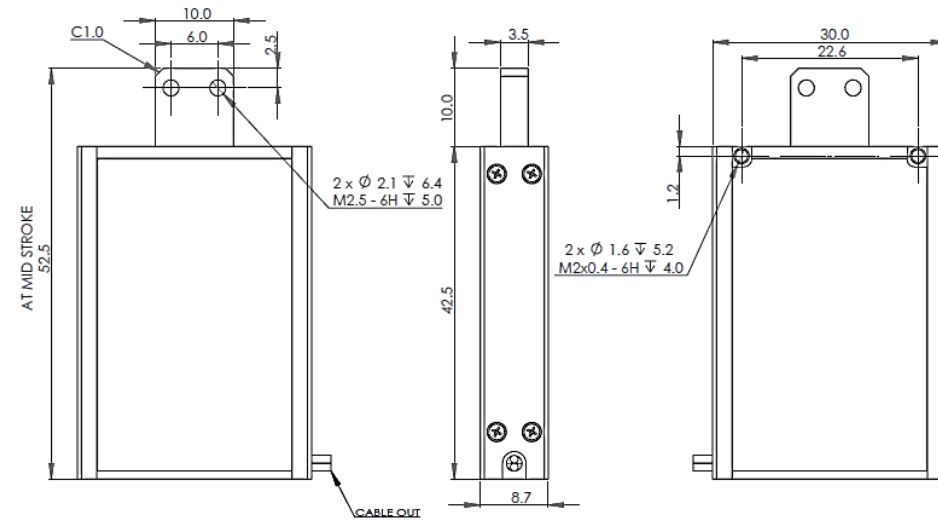
### ATA-IG2-10



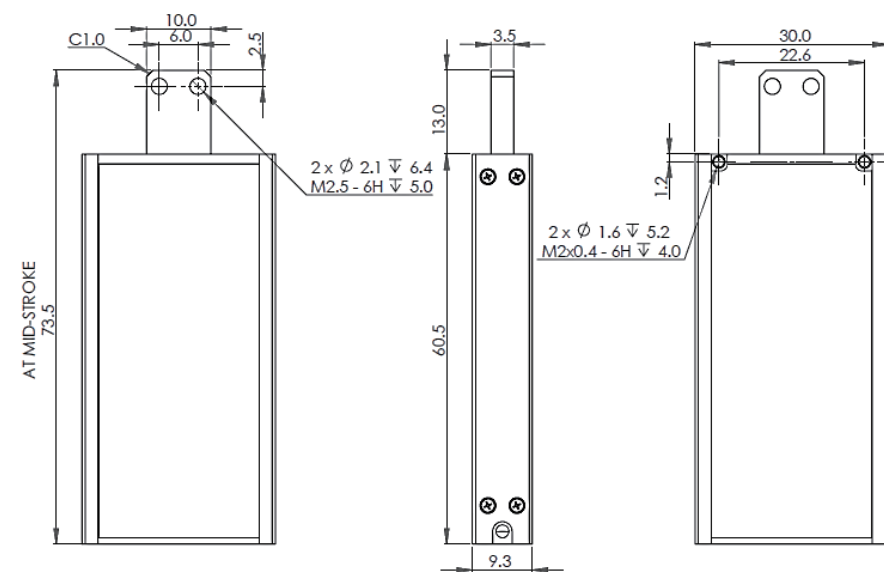
# ATA-IG3

■ Dimensions

## ■ ATA-IG3-6



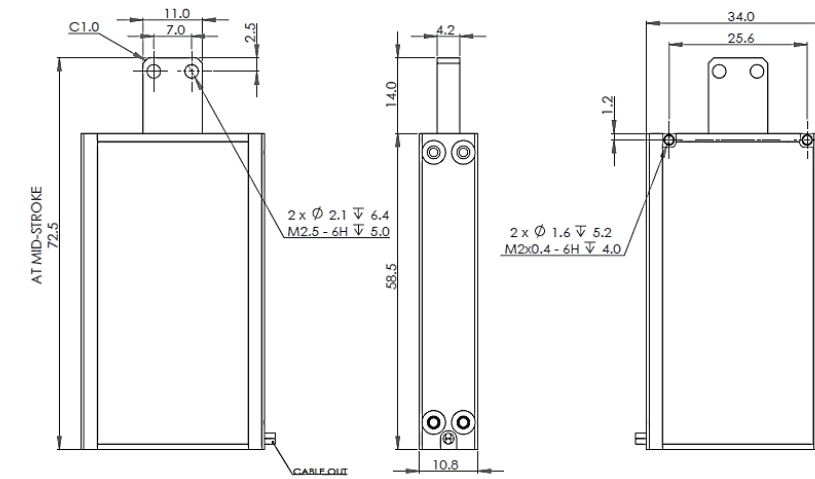
## ■ ATA-IG3-12



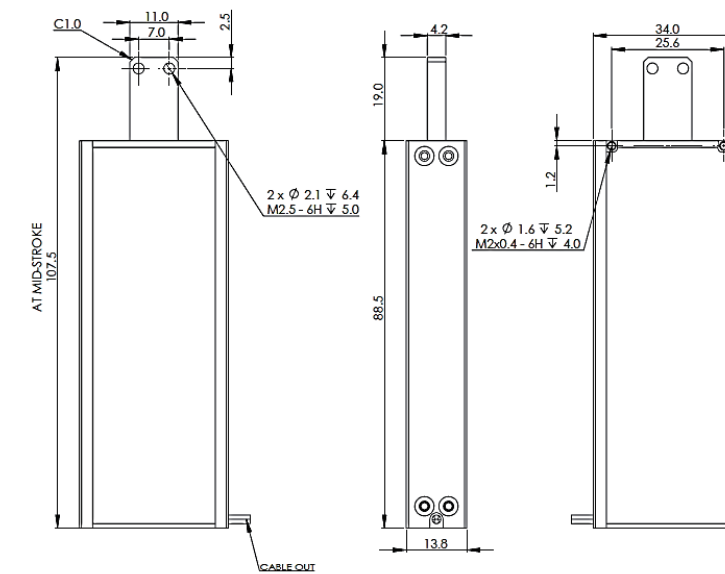
# ATA-IG4

■ Dimensions

## ■ AVA-IG4-10



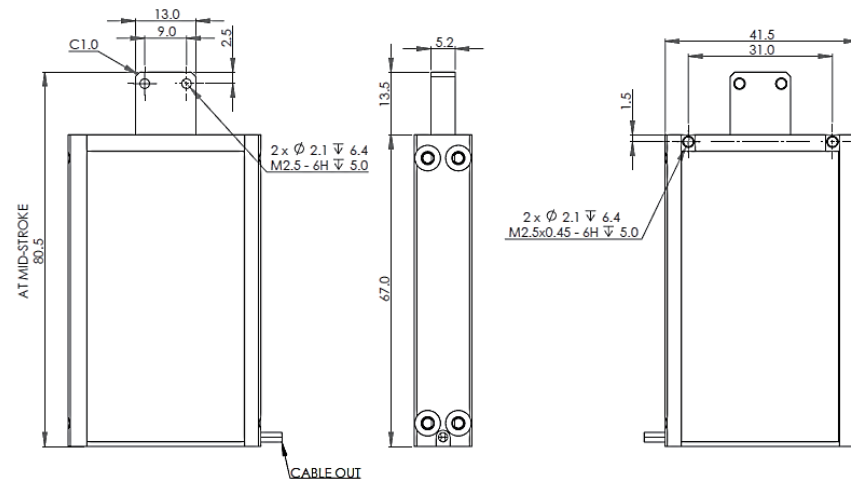
## ■ AVA-IG4-18



# ATA-IG5

## Dimensions

### AVA-IG5-12



### AVA-IG5-22

