



DGL-XY SERIES

- ▶ High speed, high acceleration
- ▶ High precision, high rigidity
- ▶ Standard design
- ▶ Short lead time

DGL-XY

Basic Model		Unit	DGL-XY-S-L100-U100	DGL-XY-S-L200-U200	DGL-XY-S-L300-U300	DGL-XY-S-L400-U300
Effective Stroke		mm	100×100	200×200	300×300	400×300
Maximum Travel Speed		m/s	2	2	2	2
Maximum Linear Acceleration		g	3	3	3	3
Motor	Lower Axis	-	AUM3-S4	AUM3-S4	AUM3-S4	AUM3-S4
	Upper Axis	-	AUM3-S2	AUM3-S2	AUM3-S2	AUM3-S2
Continuous Force / Peak Force	Lower Axis	N	113 / 578	113 / 578	113 / 578	113 / 578
	Upper Axis	N	57 / 289	57 / 289	57 / 289	57 / 289
Repeatability		μm	±1	±1	±1	±1
Orthogonality		arc-sec	10	10	10	10
Nominal System Weight		kg	29	34	39	42
No-load Moving Mass	Lower Axis	kg	19.0	21.0	24.0	24.0
	Upper Axis	kg	2.9	2.9	2.9	2.9
Material		-	Aluminum	Aluminum	Aluminum	Aluminum

Note:

- Values of velocity, acceleration and no-load moving mass are approximations only and may vary based on customer applications and requirements.

Ordering Part Number (OPN)

SL S 01 01 U25 U17 E73 1 A 1

Model:

SL: DGL-XY

Cover Type:

S: Standard (Clear Anodized)
 T: Standard (Black Anodized)
 C: Conventional (Clear Anodized)
 D: Conventional (Black Anodized)
 B: Bellow

Lower Axis Stroke: ¹

01: 100mm
 02: 200mm
 03: 300mm
 04: 400mm

Upper Axis Stroke: ¹

01: 100mm
 02: 200mm
 03: 300mm

Lower Axis Motor:

U25: AUM3-S-S4-J (Peak Force: 578.0N)
 U26: AUM3-S-S4-K (Peak Force: 578.0N)
 U27: AUM3-P-S4-J (Peak Force: 578.0N)
 U28: AUM3-P-S4-K (Peak Force: 578.0N)

Termination:

1: Flying Leads
 2: DSUB

Cable Length:

A: 0.5m
 B: 3.0m

Scale Type:

1: Steel tape, 11ppm/K

Encoder Type:

E73: ABA50E EnDat2.2 (0.05μm)
 E71: ABA50M Mitsubishi (0.05μm)
 EBF: Quantic (0.5μm)
 EBH: Quantic (0.1μm)
 E9F: ABI51D (0.5μm)
 E9H: ABI51D (0.1μm)
 EA0: ABI52 (SINCOS)

Upper Axis Motor:

U17: AUM3-S-S2-J (Peak Force: 289.0N)
 U18: AUM3-S-S2-K (Peak Force: 289.0N)
 U19: AUM3-P-S2-J (Peak Force: 289.0N)
 U20: AUM3-P-S2-K (Peak Force: 289.0N)

Note:

- ¹ Standard stroke in intervals of 100mm only, for more options, please contact Akribis sales engineers.

Dimension Drawing

Introduction

Sizing Guide

Frequently Asked Questions

Motion Control of Gantry Stages

Linear Module

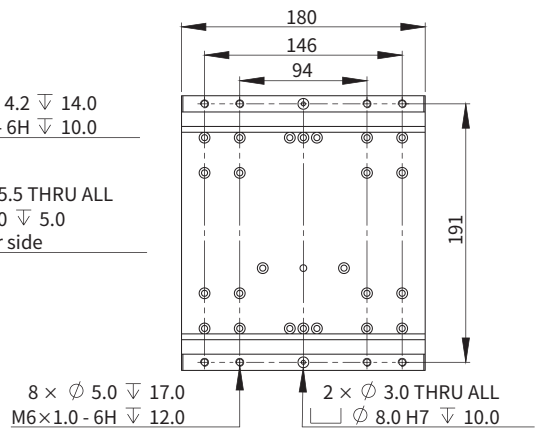
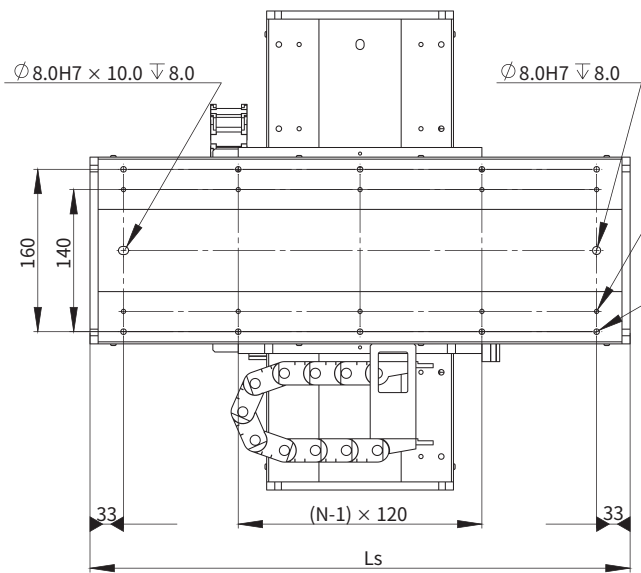
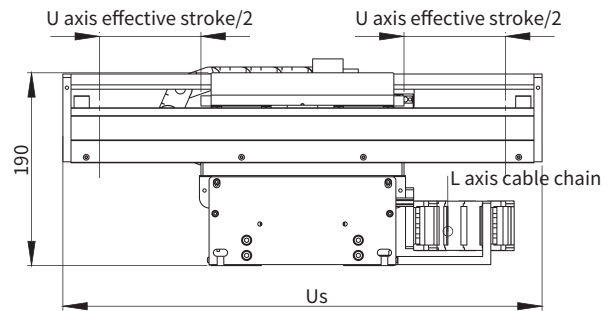
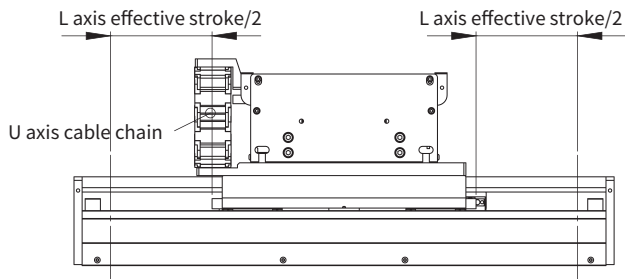
Voice Coil Module

Miniature Stages

Stacked Stages

Gantry Stages

Akribis Systems



Customer payload mounting interface

LOWER-AXIS EFFECTIVE STROKE	UPPER-AXIS EFFECTIVE STROKE	"Ls" LOWER AXIS LENGTH	"Us" LOWER AXIS LENGTH	N
100	100	432	372	3
200	200	532	472	3
300	300	632	572	5
400	300	732	572	5

Note:

- Other nominal travel lengths and nominal travel combinations are available.
- Electrical and mechanical limits included in gantry system.
- Dimensions in millimeters.

